

**EN**

# **Operating manual with spare parts list**

Industrial vacuum cleaner

**Ventos 32 L/AC**

**Ventos 42 L/AC**



# Operating manual with spare parts list

EN

Industrial vacuum cleaner

**Ventos 32 L/AC**

**Ventos 42 L/AC**

## **Operating manual!**

This manual is a translation of the original manual. Read and conform safety instructions before use! Technical data will be found in the Spare parts list. Please be aware that the spare part list is part of the operating manual. Keep the leaflet for later use or any subsequent owners.

## Dear customer,

we would like to congratulate you on the purchase of your new industrial vacuum cleaner and thank you for your confidence in our products.

Your choice has fallen on an absolute quality product. Kränzle industrial vacuum cleaners are characterized by their convenient and compact design as well as their high suitability for everyday use.

Highest precision and dimensional accuracy in addition to a technology package consisting of a multitude of details mark the difference when it comes to performance, safety and durability.

In order to facilitate handling of the industrial vacuum cleaner, the following pages are intended to further explain the use of the **Ventos 32 L/AC / Ventos 42 L/AC**. The figures may be subject to deviation depending on the type of equipment or accessory purchased by you.

<b>Contents</b> .....	4
<b>Explanatory symbols</b> .....	5
<b>Safety notes</b> .....	6
<b>Description of the industrial vacuum cleaner</b> .....	12
<b>General rules</b> .....	16
<b>Assembly</b> .....	18
<b>Functional details</b> .....	22
<b>Putting into operation</b> .....	24
<b>Taking out of operation</b> .....	34
<b>Small repairs - do it yourself</b> .....	37
<b>Kränzle accessories</b> .....	40
<b>EU Declaration of Conformity</b> .....	42
<b>Warranty</b> .....	43
<b>Technical data</b> .....	44
<b>Pipeline plan</b> .....	46
<b>Spare parts list</b> .....	48

## In the operating manual: Marking of notes



**DANGER**

Indicates a hazard that will lead directly to serious bodily injury or death. (Hazard with a high degree of risk)



**WARNING**

Indicates a hazard that can possibly lead to serious bodily injury or death. (Hazard with a high degree of risk)



**ATTENTION**

Indicates a hazard that can possibly lead to minor physical injuries. (Hazard with a low degree of risk)



Failure to observe this note may entail environmental damage.



Note on the use of the industrial vacuum cleaner. Failure to comply may result in excessive wear or total failure of the unit.

## Explanatory symbols used on industrial vacuum cleaner



Dust of dust class L is considered "slightly" hazardous. Examples can be dusts from gypsum, lime and mica. For all dusts with AGW values > 1 mg/m<sup>3</sup>, the max. permeability of the vacuum cleaner is 1%.



Products marked with this symbol may contain constituents posing a risk to health or the environment if incorrectly disposed of. These products must never be disposed of as household waste.

## Explanatory symbols affixed on the packaging



This symbol denotes recyclable packaging materials which must not be disposed of as household waste. Information on proper disposal will be gathered from the recycling directives issued by your local authority.

- ⚠ WARNING** **Read and conform safety instructions before use!**  
Errors in compliance with the warnings and instructions may cause electric shocks, fires and/or serious injuries! Keep this operating manual and spare parts list for later use or subsequent owners.
- ⚠ WARNING** Remove the accessories from the collection container.  
Remove the packaging from all parts of the vacuum cleaner.
- ⚠ DANGER** Keep packaging material away from children.  
There is a risk of suffocation!
- ⚠ WARNING** Safe working with the appliance is only possible if you read the operating instructions completely and follow the instructions contained therein exactly.
- ⚠ WARNING** The appliance may only be used by persons who have been explicitly instructed in its operation and handling. This includes the correct use and handling of the industrial vacuum cleaner and all accessories, as well as the handling of substances that come into contact with it.
- ⚠ WARNING** The vacuum cleaner is not designed for use by persons with restricted physical, sensory or mental abilities (including children)! Children must be kept under supervision to prevent them from playing with the equipment.
- ⚠ WARNING** Do not use the industrial vacuum cleaner if you are under the influence of drugs, alcohol, medication, tired or distracted.
- ⚠ ATTENTION** The unit may only be operated in a room with sufficient ventilation (observe national occupational health and safety regulations). When the outflowing air is led back into the room, a sufficient ventilation rate (L) must be ensured in the room. In order to comply with the required limit values, the return flow must not exceed 50 % of the fresh air volume flow (room volume VR x ventilation rate LW). Without a specific ventilation system, the following applies:  $L_w = 1h^{-1}$ .

- ⚠ DANGER** The industrial vacuum cleaner and all associated parts must be checked for proper condition and operational safety before each use. If the condition is not perfect, the industrial vacuum cleaner must not be used. Have any damage checked by your dealer or the nearest authorised service centre.
- ⚠ DANGER** Do not use the industrial vacuum cleaner with a damaged power cord or plug. To unplug, hold it by the plug, not the cable. Do not touch the plug or the industrial vacuum cleaner with wet hands. Switch off all controls before unplugging.
- ⚠ DANGER** If the mains connection cable of this unit is damaged, it must only be replaced with an original Kränzle mains connection cable and must be carried out by a qualified electrician.
- ⚠ DANGER** Always disconnect the appliance from the mains before opening the industrial vacuum cleaner!
- ⚠ ATTENTION** Only operate the industrial vacuum cleaner with an inserted and undamaged filter. Make sure that the filter is in perfect condition.
- ⚠ ATTENTION** Unplug the vacuum cleaner's power cord before connecting accessories or power tools to the machine.
- ⚠ DANGER** Always wear protective goggles when working with the machine. They prevent stones or debris from being blown into or bouncing back into the user's eyes or face. Working without safety goggles can cause serious injury.
- ⚠ WARNING** Never use the vacuum cleaner as a ladder or stepladder. Failure to comply with this instruction may result in serious injury and the vacuum cleaner may be damaged.
- ⚠ DANGER** Do not pull or carry the appliance by the cable and do not use the cable as a handle. Do not close a door over the cable and do not pull the cable around sharp edges or corners. Do not run over the cable with the vacuum cleaner. Keep the cable away from heated surfaces.

- ⚠ WARNING** When carrying the industrial vacuum cleaner, pay attention to its weight (see technical data). Note that the weight of the vacuum cleaner is increased by a filled container.
- ⚠ WARNING** Always secure the appliance against rolling away or falling over. Always apply the brakes on the metal castors when parking the industrial vacuum cleaner.
- ⚠ ATTENTION** When working with the device, the user must ensure that third parties are not harmed. Particular attention must be paid to children!
- ⚠ WARNING** Keep loose clothing, hair, fingers and all body parts away from openings and moving parts. Failure to comply with this instruction may result in serious injury.
- ⚠ ATTENTION** Do not insert objects into openings and do not use the appliance with openings blocked. Keep openings free of dust, lint, hair and anything that can reduce air flow.
- ⚠ ATTENTION** Never operate the appliance unattended. After switching off the vacuum cleaner, disconnect the mains plug and wind up the mains connection cable before going out of sight. The cable can become a tripping hazard.
- ⚠ DANGER** Substances that are toxic, carcinogenic or flammable, such as arsenic, asbestos, barium, beryllium, lead, pesticides, or other substances harmful to health must not be cleaned up with this device. Sharp-edged objects must also not be sucked up.
- ⚠ DANGER** The industrial vacuum cleaner is not suitable for vacuuming burning or glowing objects such as cigarettes, matches, ashes or similar. The unit is suitable for picking up dry, non-flammable dusts (dust class L according to EN 60 335-2-69) and liquids.
- ⚠ DANGER** Do not use the unit to hold flammable or combustible liquids such as petrol, alcohol, thinners, solvents or in areas where these may be present.

- ⚠ DANGER** Do not vacuum the following materials: explosive or flammable gases, liquids and reactive dust particles, reactive metal dust particles (such as aluminium, magnesium, zinc), in combination with strongly alkaline or acidic cleaning agents, undiluted and strong acids and alkalis or organic solvents such as petroleum, paint thinners, acetone, fuel oil and similar products.
- ⚠ DANGER** Never operate this unit when explosive or flammable materials, vapours or gases are or may be present in the environment. Electrical equipment may cause arcing or sparks, resulting in fire or explosion.
- ⚠ WARNING** Do not use your industrial vacuum cleaner for spraying flammable liquids such as oil-based paints, varnishes, household cleaners etc.
- ⚠ ATTENTION** The vacuum cleaner cannot be used as a water pump, it is only used to extract air and water mixtures.
- ⚠ ATTENTION** Switch off the industrial vacuum cleaner immediately if foam develops or liquid escapes.
- ⚠ ATTENTION** When used in elevated positions and where there is a risk of falling, as well as on uneven terrain, the unit must be secured against rolling away or falling over. en.
- ⚠ WARNING** Be careful when vacuuming stairs. You could injure yourself and/or damage the vacuum cleaner if you miss steps and fall or lose your balance.
- ⚠ ATTENTION** The industrial vacuum cleaner must not be used or stored outdoors in wet conditions.
- ⚠ WARNING** If the industrial vacuum cleaner does not work properly or if it has been dropped, damaged, left outdoors or dropped into water, always have it checked before use. To do this, take the vacuum cleaner to your dealer or the nearest authorised service centre.
- ⚠ WARNING** Only use the socket on the vacuum cleaner for the specified purpose. Only connect power tools that have been tested and are in perfect condition and with max. 2200 W.

**⚠ WARNING** Risk of injury from uncontrolled start-up of power tools! Before connecting the mains connection cable of the power tool to the vacuum cleaner, make sure that the power tool is switched off and the rotary knob on the vacuum cleaner is set to "OFF" and thus switched off.

**⚠ WARNING** Empty the collection container of the vacuum cleaner after each use. This will also prevent spontaneous ignition of the contents of the container. After using the vacuum cleaner, the contents of the dust collection container may contain components that can pose a risk to health or the environment if disposed of incorrectly. The safe and proper disposal of these substances, as well as the disposal of the dust collection container if necessary, may only be carried out by professionals wearing suitable personal equipment. They must not be disposed of with household waste.



**⚠ WARNING** The unit must be decontaminated before these operations. Rooms in which these activities take place must have local filtered forced ventilation and the area must be properly cleaned afterwards.

**⚠ WARNING** Emptying, cleaning and filter changing may only be by wearing suitable personal protective equipment. This protects the person from substances hazardous to health. Wear a dust mask (suitable for fine dust) when emptying the container of fine dust of any kind or substances hazardous to health.

**⚠ ATTENTION** Static discharge may occur in dry environments. This will affect the use of the industrial vacuum cleaner. To avoid this electric shock, humidify the air with a console or humidifier.

**⚠ WARNING** The industrial vacuum cleaner must be inspected by an expert at least every 12 months. It must be checked whether safe operation of the industrial vacuum cleaner is still guaranteed. Before each safety instruction, the filter must be checked for damage and the unit must be checked for air tightness. The results of the inspection are to be recorded in writing.

**⚠ DANGER** Disconnect the unit from the mains before carrying out any maintenance work on it.

**⚠ WARNING** Cleaning and maintenance work must not be carried out by children.

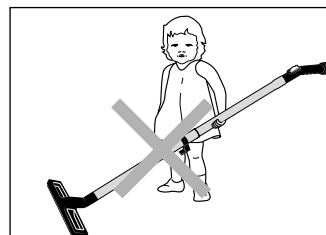
**⚠ WARNING** Wear a dust mask (suitable for fine dust) when cleaning the filter or the industrial vacuum cleaner.

**⚠ ATTENTION** When carrying out maintenance and repair work it is necessary to dispose of any contaminated objects which cannot be adequately cleaned. Such objects must be placed in impermeable bags in compliance with the relevant regulations for the disposal of such refuse. Objects that had to be disposed of have to be replaced and reinstalled.

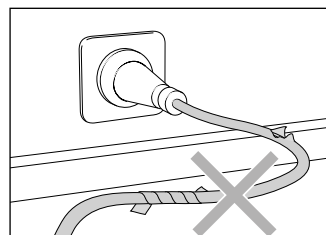
**⚠ ATTENTION** In particular, ensure that the unit contains a complete and functioning filter system again before use.

**⚠ ATTENTION** Clean the water level limiter regularly and check it for signs of damage.

**⚠ DANGER** Safety devices serve to protect the user and must never be de-activated or their function bypassed.



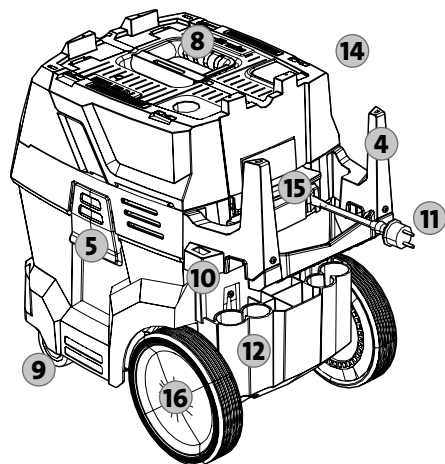
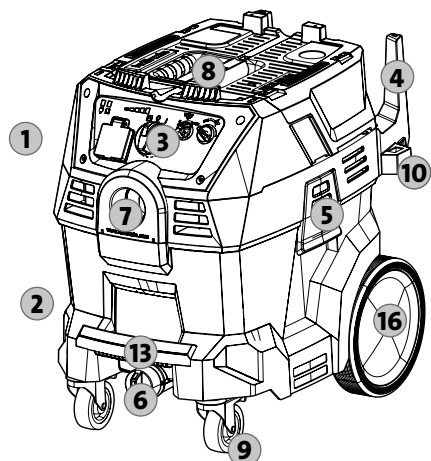
**⚠ WARNING** Never allow children or untrained persons to use the industrial vacuum cleaner or to play with it! Children must be kept under supervision to prevent them from playing with the equipment. Children must be kept under supervision to prevent them from playing with the equipment.



**⚠ DANGER** Only use a power supply cable in perfect working order! Do not damage or improperly repair the power cable (tearing, squeezing, running over, ...). Do not kink the mains connection cable and do not pull it over sharp edges.

**Design: Ventos 32 L/AC / Ventos 42 L/AC**

The Ventos 32 L/AC / Ventos 42 L/AC is a mobile industrial vacuum cleaner with an advanced arrangement system. Please see construction scheme for more details.



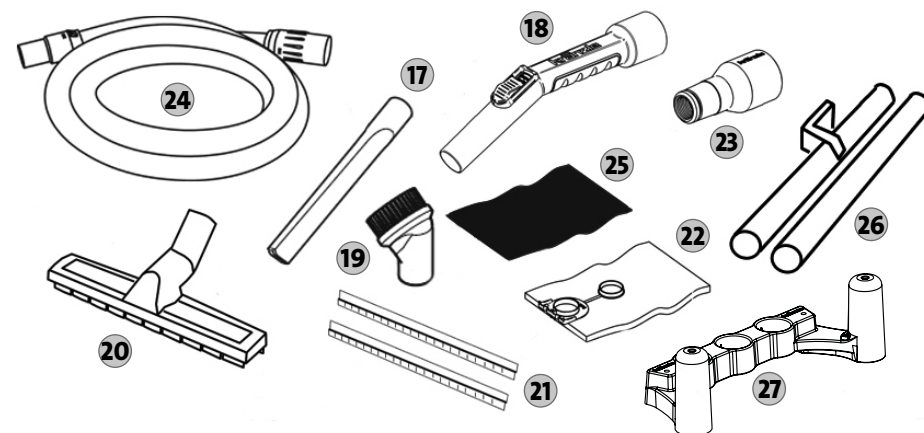
1. Suction cup head
2. Collection container
3. Control panel/display
4. Hose/mains connection cable holder incl. bar
5. Fastening of the head
6. Liquid drain of the collection container
7. Intake manifold
8. Handgrip
9. Metal castors with brake function
10. Holder for the storage hook of the suction tube
11. Mains connection cable/plug
12. Holders for accessories
13. Collection container handle
14. Foldable filter cover
15. Filter cover handle for opening the filter cover
16. Wheels

**Accessories:**

**Note on unpacking:**

Some of these accessories are packed in the collection container.

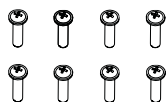
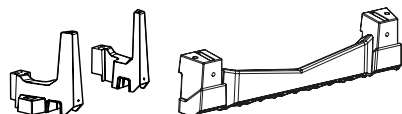
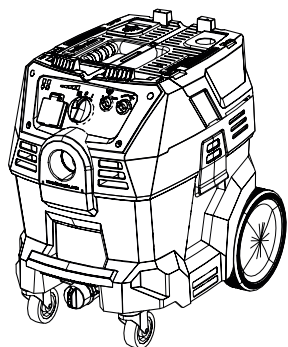
17. Flat nozzle
18. Hand pipe
19. Suction brush
20. Floor nozzle (for use as a dry vacuum cleaner)
21. Rubber lips (are required for use as wet vacuum cleaners. Assembly see chapter „Putting into operation“)
22. Dust bag (5 pieces)
23. Adapter for electrical tools
24. Antistatic suction hose
25. Disposal bag (1 piece)
26. Suction tube with storage hook to attach to the vacuum (e.g.: during work breaks)
27. Comfort accessory storage (optionally mountable)



**! WARNING** Remove the accessories from the collection container. Remove the packaging from all parts of the vacuum cleaner.

**! DANGER** Keep packaging material away from children. There is a risk of suffocation!

**This is what you have purchased:**



1. Kränzle industrial vacuum cleaner  
Ventos 32 L/AC  
Ventos 42 L/AC

2. Hose/mains connection cable holder incl. bar

3. 8 Phillips screws

4. 1 pleated filter (PET, 5.500 cm<sup>2</sup>)  
The pleated filter is already built into the unit.

5. Operating manual with spare parts list

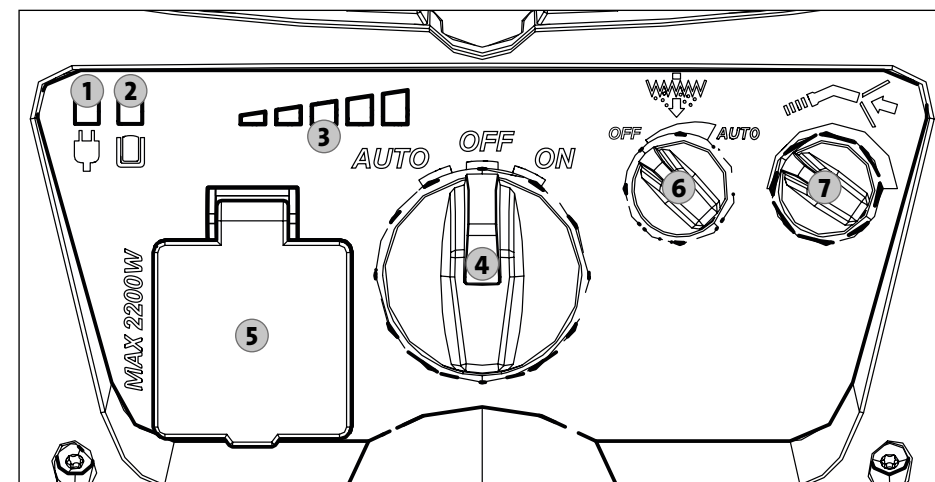
6. Accessories (see previous page)

**Display:**

1. LED indicator Mains connector plugged in
2. LED indicator collection container full
3. LED indicator suction power intensity
4. On/off/automatic switch-on knob
5. Socket with cover for mains connection of electrical tool (max. 2200 W)

6. Rotary knob for regulating the filter tapping intervals
7. Rotary knob for regulating the suction power

**For an explanation of the functions, see the chapter "Functional details" in this operating manual.**





### Specified Conditions of Use

This industrial vacuum cleaner has been designed and tested to ensure efficient and safe operation as long as it is correctly maintained and used in accordance with the instructions in this operating manual.

This industrial vacuum cleaner is suitable for commercial (in hotels, schools, hospitals, offices and rental shops) and domestic use. Accidents due to misuse can only be prevented by the operators of the appliance.

The unit is suitable for the extraction of dry, non-flammable substances and liquids (dust class L according to EN 60 335-2-69, MAK value  $> 1 \text{ mg/m}^3$ ).

#### **READ AND OBSERVE ALL SAFETY INSTRUCTIONS!**

See chapter "Safety instructions" in these operating manual.

Any other use is considered misuse. The manufacturer accepts no liability for any damage resulting from such use. The risk of such use is the sole responsibility of the user. Appropriate and intended use includes correct operation as well as regular maintenance and repair according to the manufacturer's instructions.



**Environmental, refuse disposal and water protection regulations must be observed!**

### Tests and approvals

Electrical tests must be carried out in compliance with the safety regulations according to EN 65638. These tests must be carried out at regular intervals and after repairs and modifications. This industrial vacuum cleaner has been approved in accordance with IEC/EN 60335-2-69.



**WARNING**

**The industrial vacuum cleaner must be inspected by an expert at least every 12 months.**

It must be checked whether safe operation of the industrial vacuum cleaner is still guaranteed. Before each safety instruction, the filter must be checked for damage and the unit must be checked for air tightness. The results of the inspection are to be recorded in writing.

### Accident prevention

The industrial vacuum cleaner is designed for accidents to be impossible if used correctly.

### Disposal of the old device

Please dispose of devices via suitable collection systems at the end of their service lives. The devices contain valuable recyclable materials that should be reused.

**⚠ ATTENTION** Read the chapter "Safety instructions" in these operating manual carefully before setting up this industrial vacuum cleaner!

**⚠ DANGER** Always disconnect the appliance from the mains before opening the industrial vacuum cleaner!

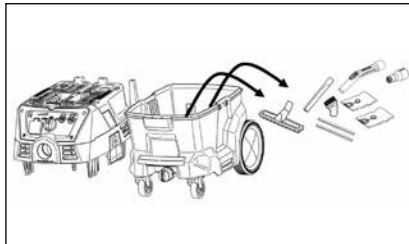
### 1. Remove accessories



1. The nozzle and accessories of the unit are placed in the container for shipping. To open the container, pull the clamps outwards with a little force. Then remove the head.

**⚠ WARNING**  
Remove the accessories from the collection container. Remove the packaging from all parts of the vacuum cleaner.

**⚠ DANGER**  
Keep packaging material away from children. There is a risk of suffocation!



2. Place the head on the container of the vacuum cleaner again. Secure the head with the clamps. These must engage completely again to ensure a tight fit. Lift the teat by the handle to make sure the lid is securely closed.

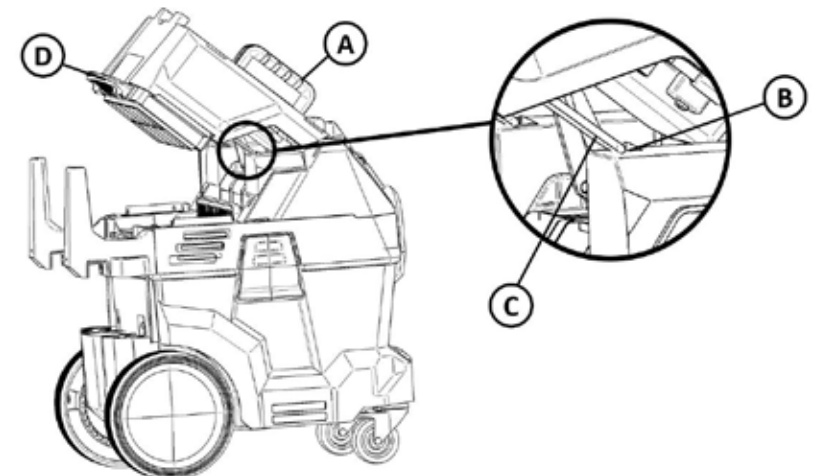


### 2. Fitting the hose and mains connection cable holder



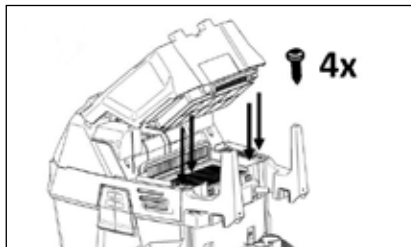
1. **Open the filter cover**  
To open the filter cover, pull the cover upwards by the filter cover handle (D). Open the lid until you hear a click and the rod (C) has hooked into the catch (B). Only when the catch (C) is properly engaged can the hand be removed from the handle (A) or the filter lid handle (D).

**⚠ ATTENTION** When opening and closing the filter cover, there is a risk of **crushing** due to carelessness! Body parts can be crushed by the filter cover folding down quickly. Therefore, be particularly attentive, e.g. when resetting the retaining hook and when slowly lowering the filter cover. Do not allow yourself to be distracted by anything.

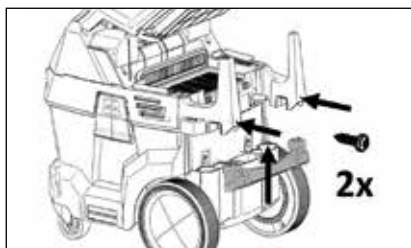
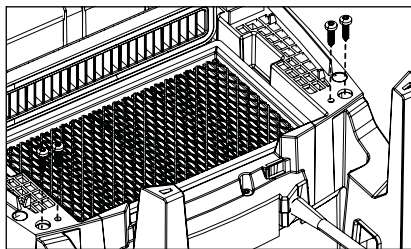




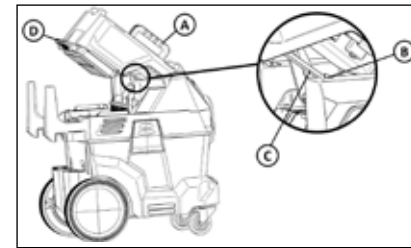
2. **Check that the restraint is properly engaged.** Then you can start fitting the hose/mains connection cable holder. Insert the holders into the recesses provided on the head.



3. Attach one of the two hooks on each side with two Phillips screws each. Use a suitable screwdriver (PZ2) for this. Use the four Phillips screws included in the scope of delivery.



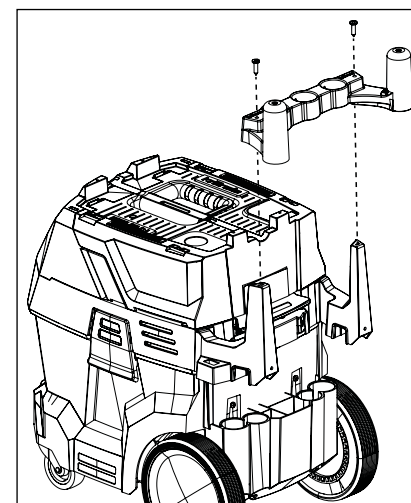
4. Then attach the bar to the two holders with two Phillips screws. The bar provides greater stability and robustness. Then close the filter cover.



5. Close the filter lid: Lift the lid by the filter lid handle (D) or by the handle (A) with one hand. Carefully lift the rod (C) over the retaining hook (B) with another hand and slowly lower the lid. When the rod (C) is above the retaining hook (B), take your hand off the rod (C) and close the filter lid.

**⚠ ATTENTION**

When opening and closing the filter cover, there is a risk of **crushing** due to carelessness! Body parts can be crushed by the filter cover folding down quickly. Therefore, be particularly attentive, e.g. when resetting the retaining hook and when slowly lowering the filter cover. Do not allow yourself to be distracted by anything.

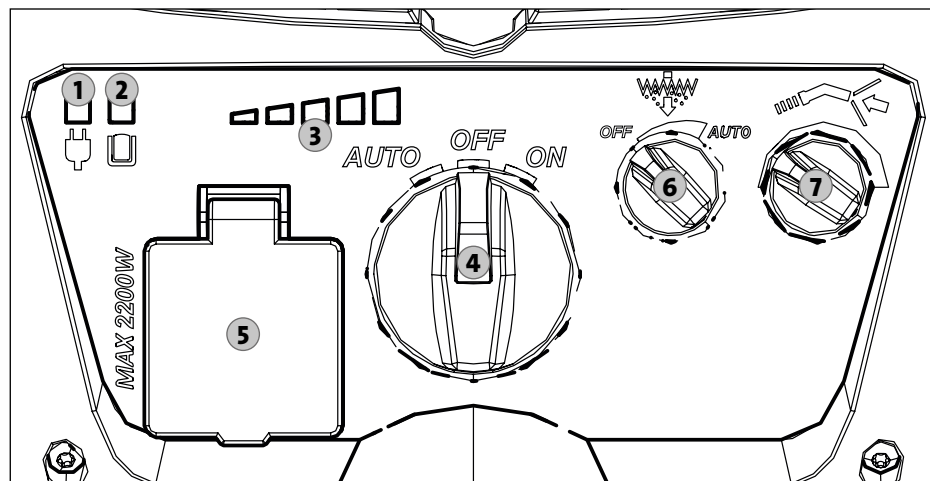


1. **Optional Mounting the comfort accessory storage:**

Now attach the mains cable/accessory holder with two Phillips screws.

The bar is not needed for the use of the comfort accessory storage and can be removed if required.

## Display



- 1. LED indicator Mains connector plugged in:**  
When the unit is plugged in, the LED lights up continuously.
- 2. LED indicator collection container full:**  
The unit is equipped with a sensor that detects whether the container/bag is full. If this LED lights up continuously while the unit is running with the inlet open, i.e. without load, containers/bags must be emptied.
- 3. LED indicator suction power intensity:** Indicates the level of suction power
- 4. On/off/automatic switch-on knob:** Switch on (ON), switch off (OFF), automatic switch-on (AUTO): The unit starts when an electrical tool is connected to the vacuum cleaner (5) and this is switched on.
- 5. Socket with cover for mains connection of electrical tool:**  
Attention: Only connect electrical tools with max. 2200 W to the mains connection of the vacuum cleaner.

## 6. Rotary knob for regulating the filter tapping intervals:

The more you turn to the right, the more often the filter is tapped. If you turn the knob to "AUTO", the vacuum cleaner regulates the tapping depending on how dirty the filter is. Read more about this on this page under "Filter cleaning".

## 7. Rotary knob for regulating the suction power:

Left = little suction power, Right = full suction power

## Filter cleaning

The fully automatic filter cleaning system cleans the filter automatically. The filter cleaning system can be controlled with the rotary knob (6).

Between "OFF" and "AUTO" the interval between cleaning cycles can be adjusted manually.

### Setting "OFF"

If the rotary knob is turned all the way to the left (to "OFF"), the vacuum cleaner taps the filter approx. every 120 sec.

### "AUTO" setting

In this mode, the filter cleaning interval is adjusted automatically, depending on how badly the filter is clogged (approx. every 20 sec).

Filter cleaning takes between 150-200 ms. The suction power is only minimally affected during filter cleaning. The unit makes a banging/knocking sound during filter cleaning. The automatic filter cleaning system works best when the vacuum in the unit is high.

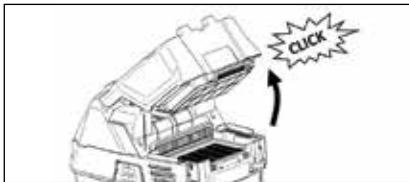
If the suction power is low, the filter is clogged for some reason. Switch the suction control to the maximum position. Set the filter tapping to "AUTO". Then close the inlet of the unit and wait until you hear a small bang/knocking sound. The filter is then cleaned and the suction power is restored.

**⚠ ATTENTION** Read the chapter "Safety instructions" in these operating manual carefully before setting up this industrial vacuum cleaner!

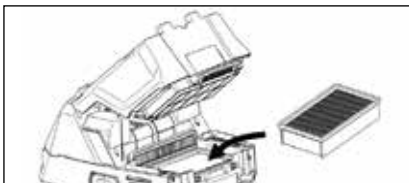
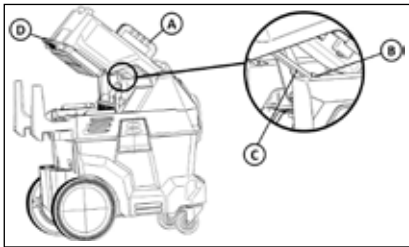
**⚠ DANGER** Always disconnect the appliance from the mains before opening the industrial vacuum cleaner!

**⚠ ATTENTION** Only operate the industrial vacuum cleaner with an inserted and undamaged filter. Make sure that the filter is in perfect condition.

### 1. Insert clean pleated filter



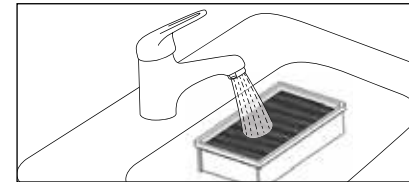
**1. Open the filter cover**  
To open the filter cover, pull the cover upwards by the filter cover handle (D). Open the lid until you hear a click and the rod (C) has hooked into the catch (B). Only when the catch (C) is properly engaged can the hand be removed from the handle (A) or the filter lid handle (D).



**2.** Before operating the appliance, make sure that a clean filter is fitted. A filter is already installed in the industrial vacuum cleaner when it is removed from the original packaging.

**⚠ WARNING** Filter cleaning and filter charging may only be wearing suitable personal protective equipment. This protects the person from substances hazardous to health. Wear a dust mask (suitable for fine dust) when emptying the container of fine dust of any kind or substances hazardous to health.

**⚠ WARNING** Wear a dust mask (suitable for fine dust) when cleaning the filter or the industrial vacuum cleaner.



**3.** When vacuuming different types of dirt, the filter will eventually become clogged and the suction power will decrease. Therefore, clean the filter regularly under running water and let it dry.



**4.** Put the dry filter back into the appliance and close the filter lid again as described below.

To close the filter cover, lift the cover by the filter cover handle (D) or by the handle (A) with one hand. Carefully lift the rod (C) over the retaining hook (B) with another hand and slowly lower the lid. When the rod (C) is above the retaining hook (B), take your hand off the rod (C) and close the filter lid.

**⚠ ATTENTION** When opening and closing the filter cover, there is a risk of **crushing** due to carelessness! Body parts can be crushed by the filter cover folding down quickly. Therefore, be particularly attentive, e.g. when resetting the retaining hook and when slowly lowering the filter cover. Do not allow yourself to be distracted by anything.

Make sure that the filter cover handle (D) is re-engaged in the collection container so that the filter cover is securely locked. Check by lifting the machine by the handle (A) to check that the lid is securely closed.

#### Note on wet vacuuming:

The pleated filter included in the scope of delivery (Ord. no.: 457079) is only suitable for dry vacuuming. **For wet vacuuming, we recommend the optionally available pleated filter Wet + Dry (Ord. no.: 457120).**

## 2.1 Prepare the device for dry vacuuming

To collect dust and facilitate disposal, the vacuum cleaner can be used with a dust bag or a disposal bag. The dust bag is recommended for very fine dusts.

**⚠ ATTENTION** Emptying, cleaning and filter changing may only be by wearing suitable personal protective equipment. This protects the person from substances hazardous to health. Wear a dust mask (suitable for fine dust) when emptying the container of fine dust of any kind or substances hazardous to health.

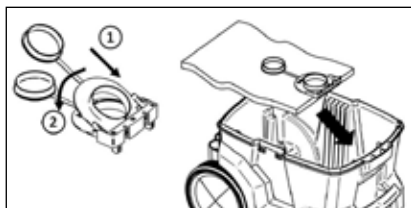
**⚠ DANGER** Always disconnect the appliance from the mains before opening the industrial vacuum cleaner!

### Remove the head of the suction cup

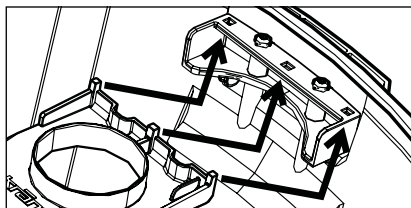


To insert the dust bag, remove the head. To do this, pull the clamps outwards with a little force and lift the head off by the handle.

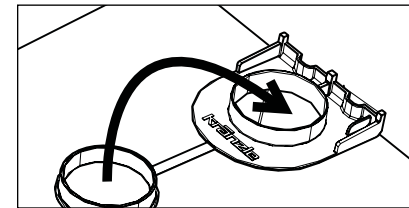
### Use dust bag (for very fine dusts)



1. Open the dust bag by folding the cap down from the opening. There are three edges protruding from the opening of the dust bag that must hook into the recesses on the collection container.

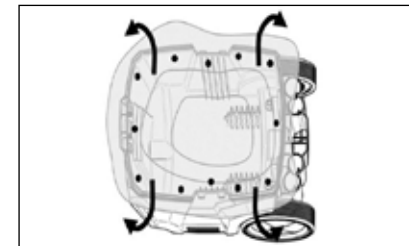


To do this, place the dust bag with the hooks slightly tilted upwards (1) and then press the dust bag into a horizontal position (2).



2. When the dust bag is full, remove it in the same way and close the dust bag inlet with the lid.

### Use disposal bag (for coarse soiling)

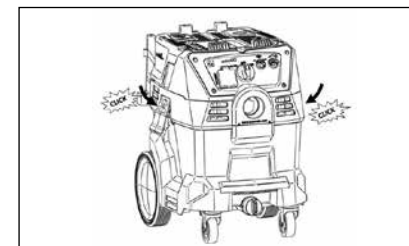


1. Insert the disposal bag into the collection container as shown in the illustration. Make sure that the holes of the disposal bag are inside the collection container.



2. When the bag is full, close it with the cable tie included with the bag.

### Reattach the head of the suction cup



Put the head back on the container of the vacuum cleaner. Secure the head with the clamps. These must engage completely again to ensure a tight fit. When putting the suction head on, make sure that the filter bag is not squeezed between the upper and lower parts. Lift the vacuum by the handle to make sure that the lid is securely closed.

## 2.2 Prepare the device for wet vacuuming

When wet vacuuming, you do not need a dust bag or a disposal bag.

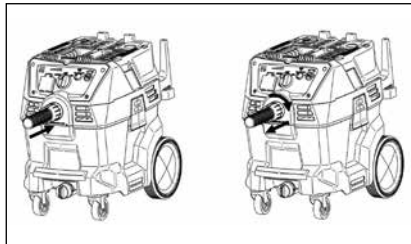
**⚠ VORSICHT** Only operate the industrial vacuum cleaner with an inserted and undamaged filter. Make sure that the filter is in perfect condition.

### Note on wet vacuuming:

The pleated filter included in the scope of delivery (Ord. no.: 457079) is only suitable for dry vacuuming. **For wet vacuuming, we recommend the optionally available pleated filter Wet + Dry (Ord. no.: 457120).**

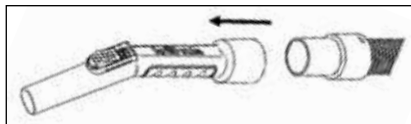
Information on inserting/replacing the flat pleated filter can be found in the "Start-up" chapter under "1. Insert clean flat pleated filter".

## 3. Connect the suction hose to the device



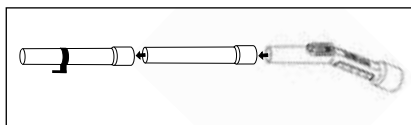
Insert the wider end of the hose into the suction inlet of the appliance. To remove the hose, turn and pull it out of the appliance (in one movement).

## 4. Connect the hand pipe to the suction hose



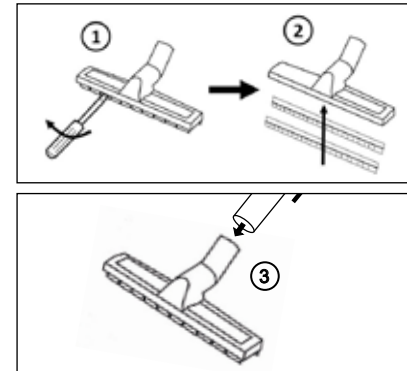
First insert the hose opening into the hand tube.

## 5. Attach the suction tube to the hand pipe



Then put the suction tube together and connect it to the hand pipe.

## 6. Choose the right nozzle



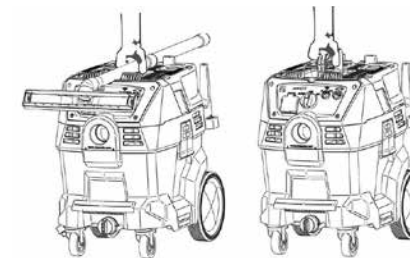
### Using the floor nozzle:

To vacuum up dry dust and dirt, use the floor nozzle with bristle edge (1) for dry floors. To vacuum up wet dirt, remove the bristle rim with a screwdriver and insert the rubber extractor (2) instead.

Attach the nozzle for the desired cleaning purpose to the suction tube (3).

## 7. Moving the vacuum cleaner to the place of use

The unit can be lifted with the handle for transport. A special recessed grip makes it easy to carry with the suction tube securely fixed.

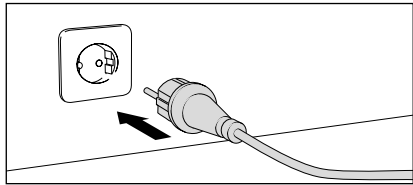


**⚠ WARNING** Do not pull or carry the appliance by the cable and do not use the cable as a handle. Do not close a door over the cable and do not pull the cable around sharp edges or corners. Do not run over the cable with the vacuum cleaner. Keep the cable away from heated surfaces.

**⚠ WARNING** When carrying the industrial vacuum cleaner, pay attention to its weight (see technical data). Note that the weight of the vacuum cleaner is increased by a filled container.

**⚠ WARNING** Always secure the appliance against rolling away or falling over. Always apply the brakes on the metal castors when parking the industrial vacuum cleaner. Avoid uneven terrain.

### 8. Plug in the mains plug



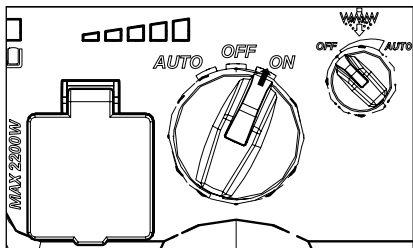
Connect to circuit (see technical data).

**⚠ DANGER** Only connect the unit to properly earthed power sources. The voltage indicated on the rating plate must match the voltage of the power source. Only connect the unit to an electrical connection that has been carried out by a qualified electrician in accordance with IEC 60364-1.

**⚠ DANGER** Only use a power supply cable in perfect working order! Do not damage or improperly repair the power cable (tearing, squeezing, running over, ...).

**⚠ DANGER** Do not use the industrial vacuum cleaner with a damaged power cord or plug. To unplug, hold it by the plug, not the cable. Do not touch the plug or the industrial vacuum cleaner with wet hands. Switch off all controls before unplugging.

### 9. Switch on the device



Set the on/off/automatic switch-on knob to "ON".

All setting options on the display can be found in the chapter "Functional details" in this operating manual.

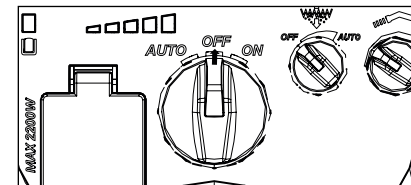
**Note:** Automatic filter cleaning is possible directly after switching on the vacuum cleaner, even if the rotary knob for regulating the filter tapping intervals is set to "OFF". This is noticeable acoustically by 3 banging/knocking sounds. In this case, the filter cleans itself automatically in order to remove possible dirt before use.

### 10. Starting up the vacuum cleaner with a power tool

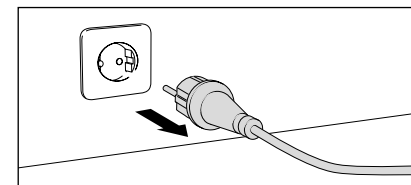
The vacuum cleaner is equipped with a socket through which it can be used together with a power tool.

**⚠ WARNING** Only use the socket on the vacuum cleaner for the specified purpose. Only connect power tools that have been tested and are in perfect condition and with max. 2200 W.

**⚠ WARNING** Risk of injury from uncontrolled start-up of power tools! Before connecting the mains connection cable of the power tool to the vacuum cleaner, make sure that the power tool is switched off and the rotary knob on the vacuum cleaner is set to "OFF" and thus switched off.

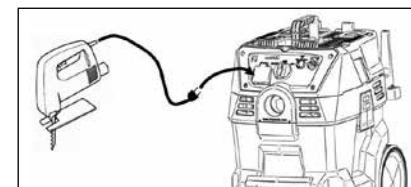


Make sure that the on/off/automatic switch-on knob is set to "OFF".



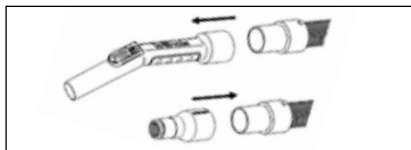
**⚠ ATTENTION** Unplug the vacuum cleaner's power cord before connecting accessories or power tools to the machine.

**⚠ DANGER** Hold the mains cable by the plug to disconnect it, not by the cable. Do not touch the plug or the industrial vacuum cleaner with wet hands. Switch off all controls before unplugging.

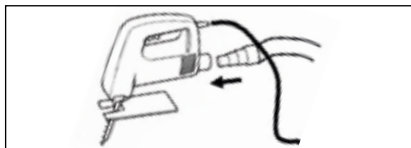


Plug the mains connection cable of the power tool into the socket provided on the vacuum cleaner.

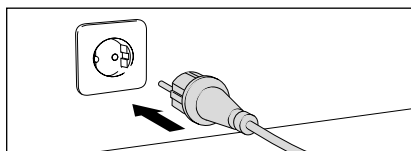




Remove the hand tube and attach the adapter for the electrical tool to the suction hose.



Attach the conical adapter to the electrical tool.



Connect to circuit (see technical data).

**⚠ DANGER**

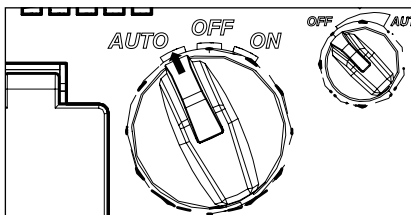
Only connect the unit to properly earthed power sources. The voltage indicated on the rating plate must match the voltage of the power source. Only connect the unit to an electrical connection that has been carried out by a qualified electrician in accordance with IEC 60364-1.

**⚠ DANGER**

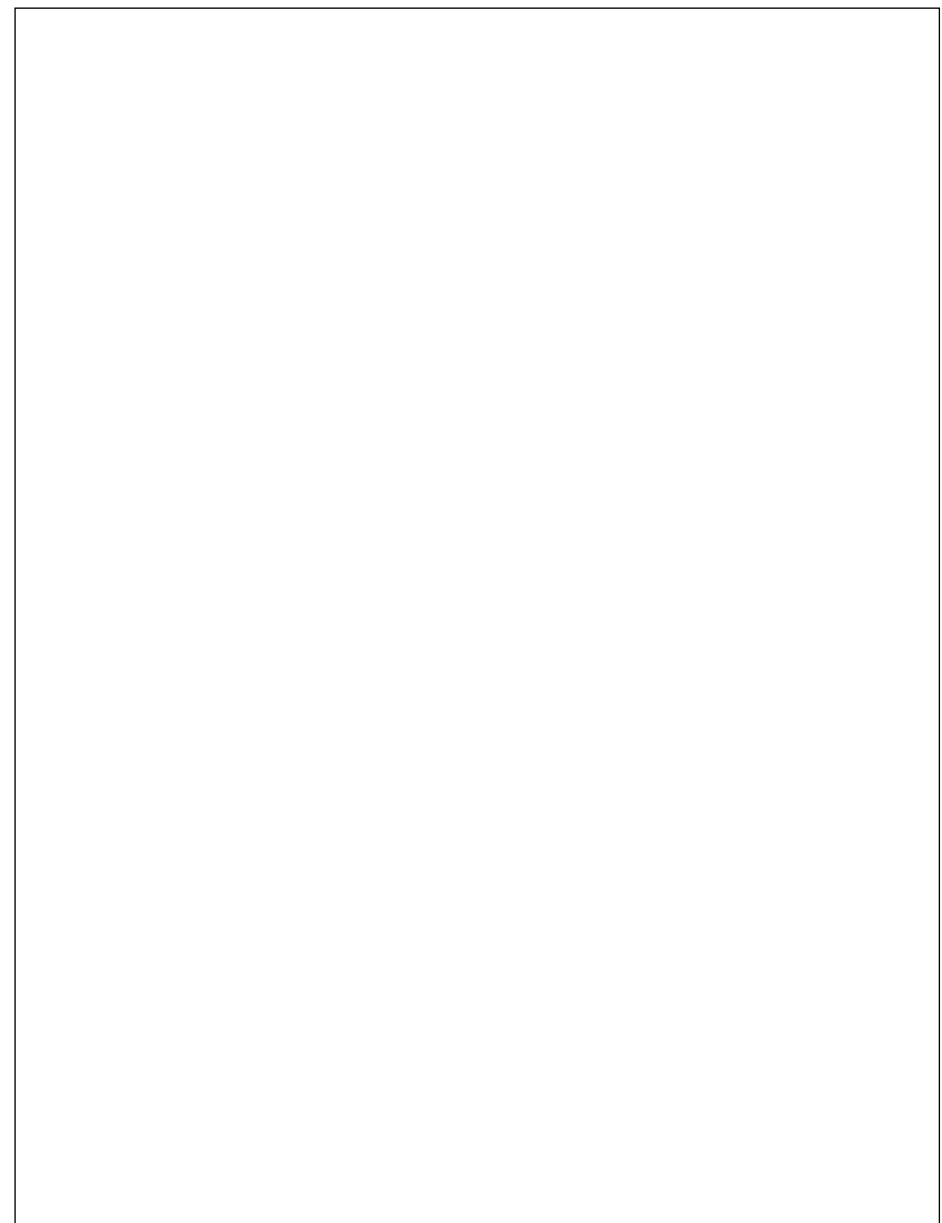
Only use a power supply cable in perfect working order! Do not damage or improperly repair the power cable (tearing, squeezing, running over, ...).

**⚠ DANGER**

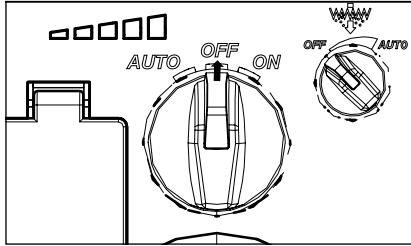
Do not use the industrial vacuum cleaner with a damaged power cord or plug. To unplug, hold it by the plug, not the cable. Do not touch the plug or the industrial vacuum cleaner with wet hands. Switch off all controls before unplugging.



Set the rotary knob to the automatic switch-on position (AUTO). The vacuum now starts as soon as the power tool is switched on. If the power tool is switched off, the vacuum cleaner also stops with a delay. During the delay time, the suction hose is emptied.

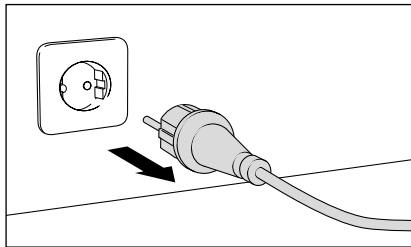


### 1. Switch off the device



Turn the rotary knob of the vacuum cleaner to "OFF".

### 2. Pull out the mains plug

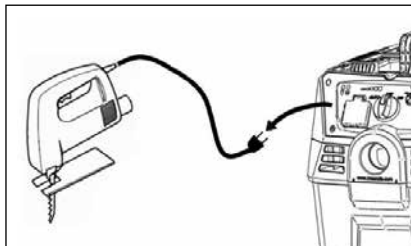


Unplug the industrial vacuum cleaner from the mains.

#### **⚠ DANGER**

Do not use the industrial vacuum cleaner with a damaged power cord or plug. To unplug, hold it by the plug, not the cable. Do not touch the plug or the industrial vacuum cleaner with wet hands. Switch off all controls before unplugging.

### 3. Taking electrical tools out of operation



If you have been working with the electrical tools, switch them off first and only then disconnect the mains plug from the vacuum cleaner. This prevents the electrical tool from starting up uncontrollably.

#### **⚠ WARNING**



Empty the collection container of the vacuum cleaner after each use. This will also prevent spontaneous ignition of the contents of the container. After using the vacuum cleaner, the contents of the dust collection container may contain components that can pose a risk to health or the environment if disposed of incorrectly. The safe and proper disposal of these substances, as well as the disposal of the dust collection container if necessary, may only be carried out by professionals wearing suitable personal protective equipment. They must not be disposed of with household waste.

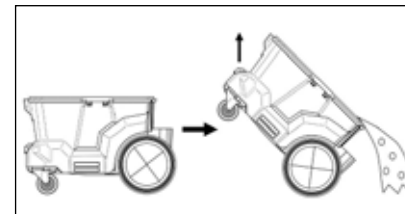
#### **⚠ WARNING**

The unit must be decontaminated before these operations. Rooms in which these activities take place must have local filtered forced ventilation and the area must be properly cleaned afterwards.

#### **⚠ ATTENTION**

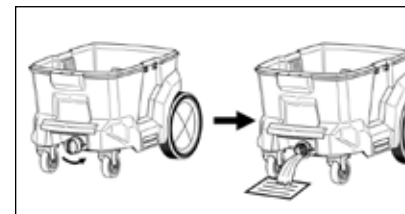
Emptying, cleaning and filter changing may only be by wearing suitable personal protective equipment. This protects the person from substances hazardous to health. Wear a dust mask (suitable for fine dust) when emptying the container of fine dust of any kind or substances hazardous to health.

### 4.1 Emptying dust/dirt from the collection container



To empty dust/dirt from the collection container, remove the head of the appliance (see chapter "Safety instructions"). If you use a dust bag or waste bag, remove the bag and insert a new one.

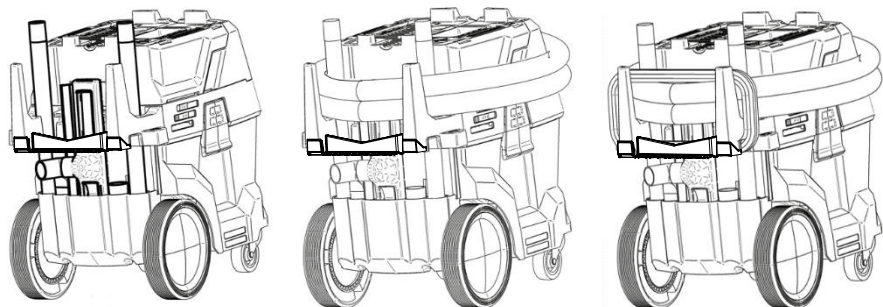
### 4.2 Emptying liquid from the collection container



To empty the liquid from the collection container, unscrew the drain plug and remove it. Now the liquid can flow out of the container. Dry the container with a clean cleaning cloth so that it is ready for the next use.










### Store the vacuum cleaner accessories safely and in a space-saving way

The accessories, hose and cable can be stored at the back of the appliance.



### Storage

To protect the unit from frost, empty the container completely. Store the vacuum cleaner in a dry place indoors.

-  **WARNING** Cleaning and maintenance work must not be carried out by children.
-  **DANGER** Disconnect the unit from the mains before carrying out any maintenance work on it.
-  **DANGER** Hold the mains cable by the plug to disconnect it, not by the cable. Do not touch the plug or the industrial vacuum cleaner with wet hands. Switch off all controls before unplugging.
-  **ATTENTION** When carrying out maintenance and repair work it is necessary to dispose of any contaminated objects which cannot be adequately cleaned. Such objects must be placed in impermeable bags in compliance with the relevant regulations for the disposal of such refuse. Objects that had to be disposed of have to be replaced and reinstalled.
-  **ATTENTION** In particular, ensure that the unit contains a complete and functioning filter system again before use.
-  **ATTENTION** Switch off the industrial vacuum cleaner immediately if foam develops or liquid escapes.
-  **DANGER** The industrial vacuum cleaner and all associated parts must be checked for proper condition and operational safety before each use. If the condition is not perfect, the industrial vacuum cleaner must not be used. Have any damage checked by your dealer or the nearest authorised service centre.
-  **ATTENTION** Clean the water level limiter regularly and check it for signs of damage.
-  **ATTENTION** Read the chapter "Safety instructions" in these operating manual carefully before carrying out any repairs!



**Caution: Risk of damage! Do not use care products containing silicone to clean the unit.** The surface of the unit and the inside of the storage container should be cleaned regularly with a damp cloth.

**⚠ ATTENTION** Read the chapter "Safety instructions" in these operating manual carefully before carrying out any repairs!

### Problem: Industrial vacuum cleaner emits dust

The industrial vacuum cleaner emits dust from the ventilation slots.

#### Troubleshooting:

1. If the industrial vacuum cleaner emits dust at the ventilation slots, switch off the unit immediately (to "OFF"). Ventilate the work area immediately and leave the room.
2. Check dust bag/disposal bag for correct seating in the collection container.
3. Check the filter for perfect condition. If the filter is damaged or broken, it must be replaced.

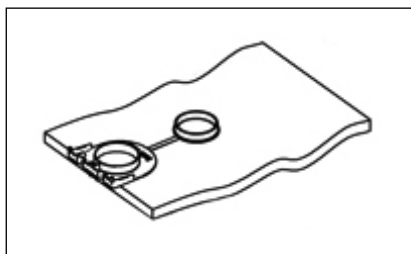
**⚠ ATTENTION** Only operate the industrial vacuum cleaner with an inserted and undamaged filter. Make sure that the filter is in perfect condition.

**⚠ ATTENTION** When carrying out maintenance and repair work it is necessary to dispose of any contaminated objects which cannot be adequately cleaned. Such objects must be placed in impermeable bags in compliance with the relevant regulations for the disposal of such refuse. Objects that had to be disposed of have to be replaced and reinstalled.

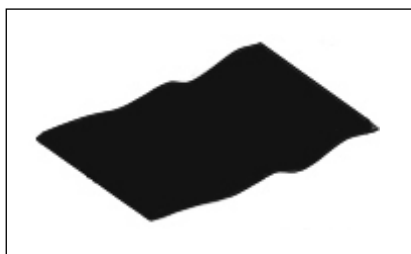
4. Check the filter for cleanliness and correct seating in the unit. Clean the filter if necessary (see chapter "Safety instructions" in these operating manual). Allow the filter to dry before reinserting it into the unit.

**⚠ VORSICHT** Only operate the industrial vacuum cleaner with an inserted and undamaged filter. Make sure that the filter is in perfect condition.

**⚠ VORSICHT** When opening and closing the filter cover, there is a risk of **crushing** due to carelessness! Body parts can be crushed by the filter cover folding down quickly. Therefore, be particularly attentive, e.g. when resetting the retaining hook and when slowly lowering the filter cover. Do not allow yourself to be distracted by anything.

**Dust bag** (5 pieces)

Ord. no.: 454511

**Disposal bag** (5 pieces)

Ord. no.: 454551

**Disposal bag** (1 piece)

Ord. no.: 457062

**Pleated filter Wet + Dry**

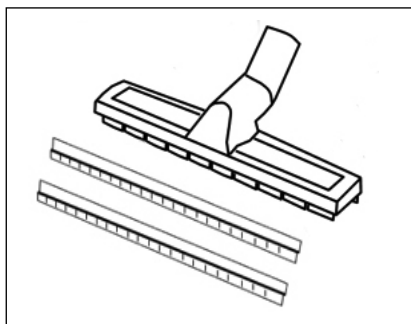
- For wet and dry vacuuming
- PES fleece

Ord. no.: 457120

**Pleated filter**

- For dry vacuuming
- PET

Ord. no.: 457079

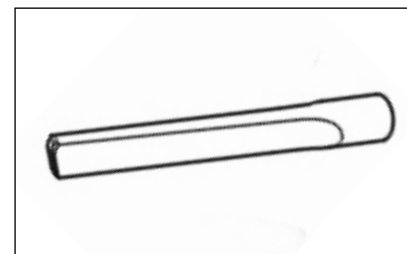
**Floor nozzle and insert**

- For vacuuming large surfaces
- Dry intake
- Length: 300 mm

**Rubber lips (wet uptake)**

- Can be used in combination with a floor nozzle

Ord. no.: 584035

**Flat nozzle**

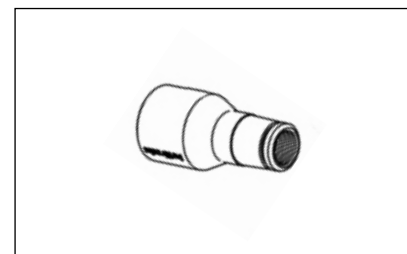
- For narrow spots
- Length: 300 mm

Ord. no.: 584023

**Suction brush**

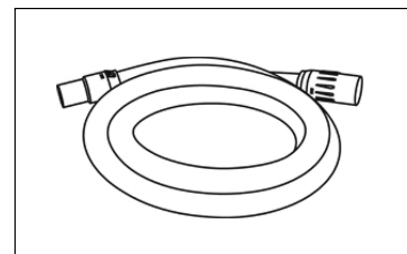
- For sensitive surfaces

Ord. no.: 584008

**Adapter for electrical tools**

- Outside diameter: 35 mm
- Inside diameter: 26 mm

Ord. no.: 584112

**Suction hose**

- Length: 4 m, Ø 32 mm

Ord. no.: 452825



Please indicate the technical data of the industrial vacuum cleaner (device type) when placing your order.

We hereby declare that the design of the industrial vacuum cleaners: **Ventos 32 L/AC**  
**Ventos 42 L/AC**

technical specifications available from: **Fa. Josef Kränzle GmbH & Co. KG**  
**Manfred Bauer**  
**Rudolf-Diesel-Str. 20, 89257 Illertissen**

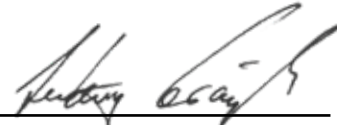
comply with the following guidelines and their amendments for industrial vacuum cleaners: **Machinery Directive 2006/42/EC**  
**EMC Directive 2014/30/EU**  
**ROHS Directive 2011/65/EU**

Noise pressure level, typical: **84 dB (A)**  
Noise pressure level, guaranteed: **85 dB (A)**

Applied specifications and standards: **EN IEC 63000: 2018**  
**EN 55014-1: 2017**  
**EN 55014-2: 2015**  
**EN 60335-1:2012/A2:2019**  
**EN 60335-2-69:2012**  
**EN 61000-3-2: 2014**  
**EN 61000-3-3: 2013**  
**EN 62233: 2008**

Josef Kränzle GmbH & Co. KG  
Rudolf-Diesel-Straße 20  
89257 Illertissen (Germany)

Illertissen, 2020-10-20



Ludwig Kränzle  
(Managing director)

The warranty obligation of Josef Kränzle GmbH & Co. KG towards the dealer from whom you have purchased this KRÄNZLE-industrial vacuum cleaner (= product) applies to material faults only such as material and manufacturing defects.

Defects attributable to long and frequent use of the product, typically arising due to the age of the industrial vacuum cleaner and intensity of its use are defined as normal wear in respect of product components. Purchaser's rights to assert claims for such defects are ruled out.

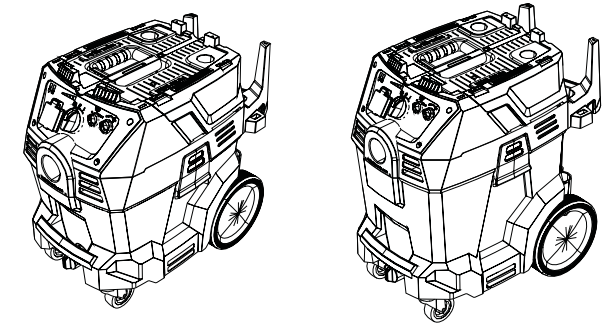
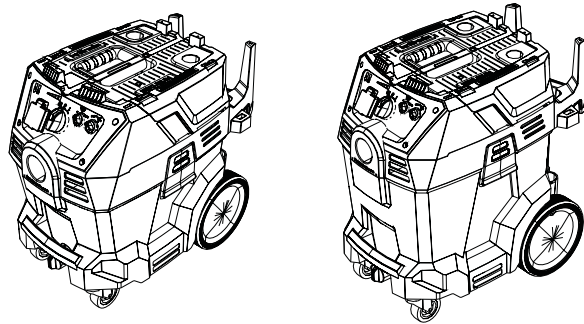
The product is to be operated in conformity with this operating manual. The operating manual is deemed to be part of the warranty provisions.

Modifications to the product's safety devices, operating errors and improper use of the product can lead to damage to the product that does not constitute a material defect.

Should the use of accessories or spares other than original Kränzle component parts and original Kränzle replacement parts be the cause of defects on our product, this may lead to all warranty claims becoming null and void. Only the use of original Kränzle replacement parts matching the relevant KRÄNZLE wet and dry vacuum cleaner provides adequate assurance for safe and trouble-free operation of the KRÄNZLE wet and dry vacuum cleaner.

With regard to legal warranty claims, the limitation periods of the respective countries shall apply.

Where warranty claims apply to any other defects, please contact your local dealer, presenting the accessories together with your purchase receipt, or the nearest authorised service centre. This can also be found on the internet under **[www.kraenzle.com](http://www.kraenzle.com)**.



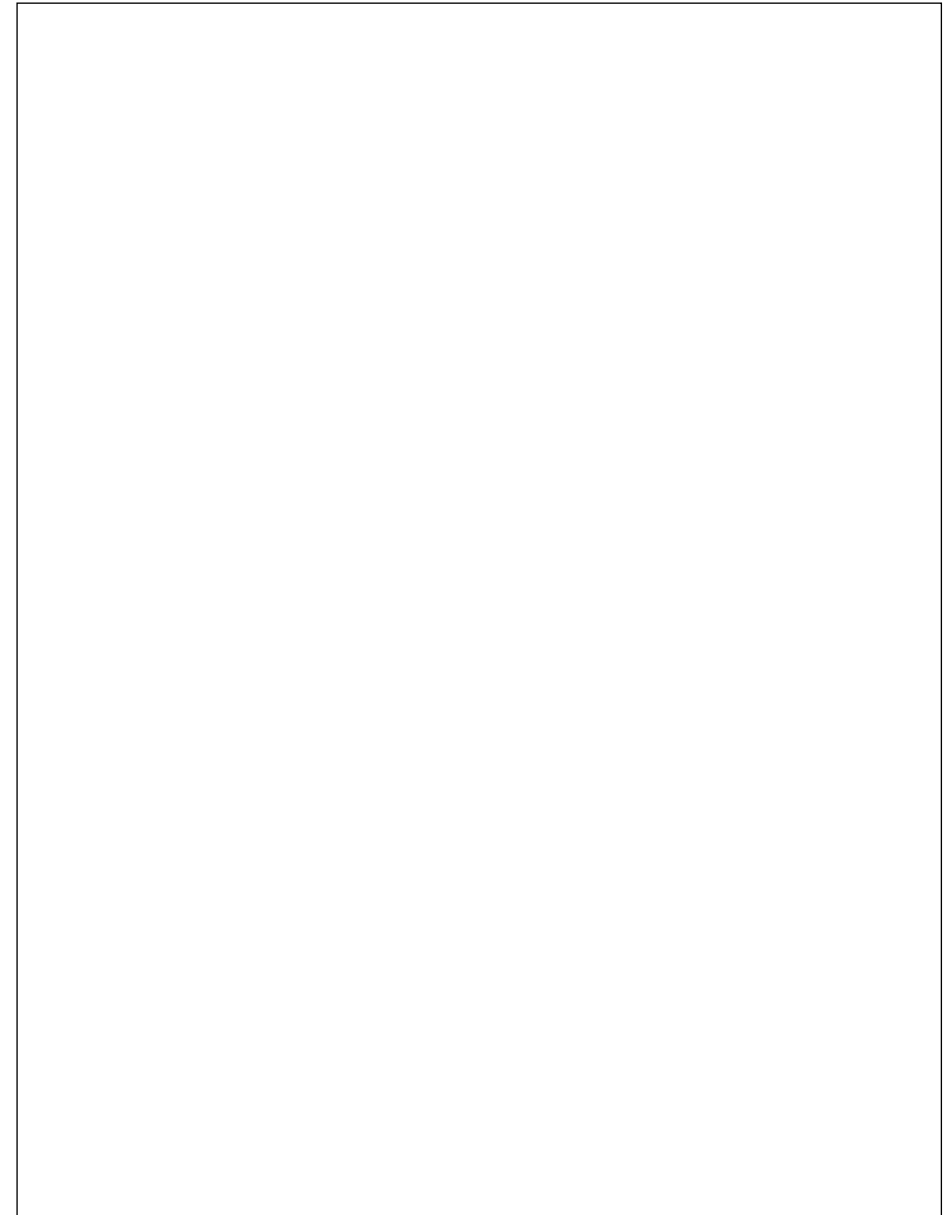
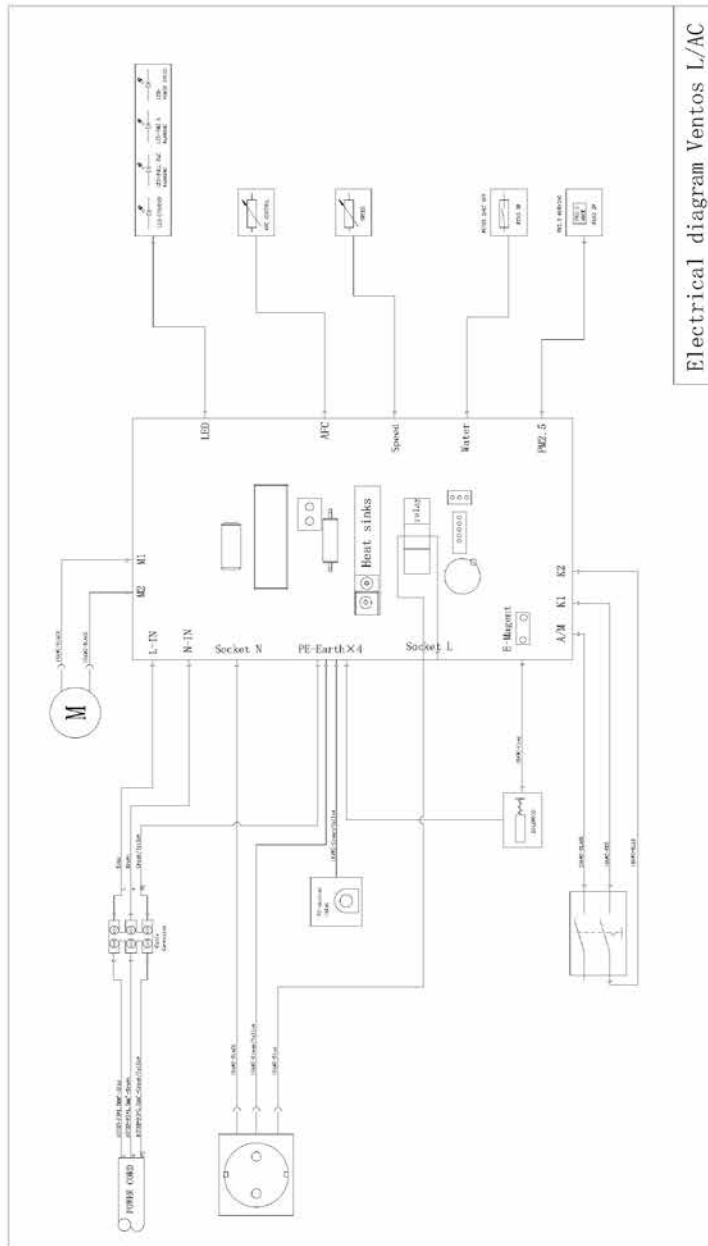
Technische Daten	Ventos 32 L/AC	Ventos 42 L/AC
Elektrischer Anschlusswert	220-240V / ~1 / 50-60Hz / 16A	220-240V / ~1 / 50-60Hz / 16A
Leistungsaufnahme Ptotal	3600 W	3600 W
Leistungsaufnahme Pmax	1400 W	1400 W
Leistungsaufnahme Pnorm	1200 W	1200 W
Behälterinhalt	30l	40l
Kabellänge	7,5m	7,5m
Filterabreinigung	einstellbar, Voll automatisch	einstellbar, Voll automatisch
Staubklasse	L	L
Gewicht	19,3 kg	19,8 kg
Maße L / B / H	590 x 365 x 565	590 x 365 x 645
Maximaler Volumenstrom	111m³/h / 1850l/min	111m³/h / 1850l/min
Maximaler Unterdruck	23,5 KPa	23,5 KPa
Emmisions-Schalldruck am Arbeitsplatz* L <sub>pa</sub>	68,3 dB (A)	68,3 dB (A)
Messunsicherheit* K <sub>pa</sub>	1,0 dB (A)	1,0 dB (A)
Schallleistungspegel* L <sub>WA</sub>	84,0 dB (A)	84,0 dB (A)
Messunsicherheit* K <sub>WA</sub>	1,0 dB (A)	1,0 dB (A)
<b>Art-Nr.</b>	<b>580020</b>	<b>580060</b>

Zulässige Abweichung der Zahlenwerte ± 5 % nach VDMA Einheitsblatt 24411  
 \*geprüft gemäß DIN EN ISO 3744 und DIN EN ISO 11203 (Entfernung 1m)

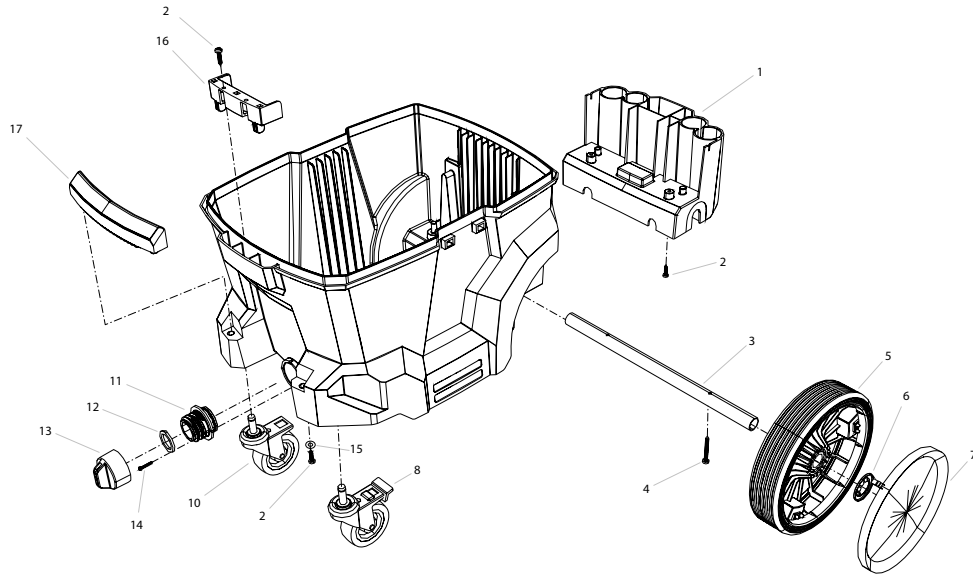
Technical data	Ventos 32 L/AC	Ventos 42 L/AC
Connected load	220-240V / ~1 / 50-60Hz / 16A	220-240V / ~1 / 50-60Hz / 16A
Power input Ptotal	3600 W	3600 W
Power input Pmax	1400 W	1400 W
Power input Pnorm	1200 W	1200 W
Tank capacity	30l	40l
Length of mains lead	7,5m	7,5m
Filter dedusting	adjustable, automatic	adjustable, automatic
Dust grade	L	L
Weigth	19,3 kg	19,8 kg
Dimensions L / B / H	590 x 365 x 565	590 x 365 x 645
Maximum volume flow	111m³/h / 1850l/min	111m³/h / 1850l/min
Maximum negative pressure	23,5 KPa	23,5 KPa
Emmisions sound pressure level at the workplace* L <sub>pa</sub>	68,3 dB (A)	68,3 dB (A)
Measurement uncertainty* K <sub>pa</sub>	1,0 dB (A)	1,0 dB (A)
Acoustic power level* L <sub>WA</sub>	84,0 dB (A)	84,0 dB (A)
Measurement uncertainty* K <sub>WA</sub>	1,0 dB (A)	1,0 dB (A)
<b>Ord. no.</b>	<b>580020</b>	<b>580060</b>

Permissible tolerance for figures ± 5 % acc. to VDMA uniform sheet 24411  
 \* tested according to DIN EN ISO 3744 and DIN EN ISO 11203 (distance 1m)

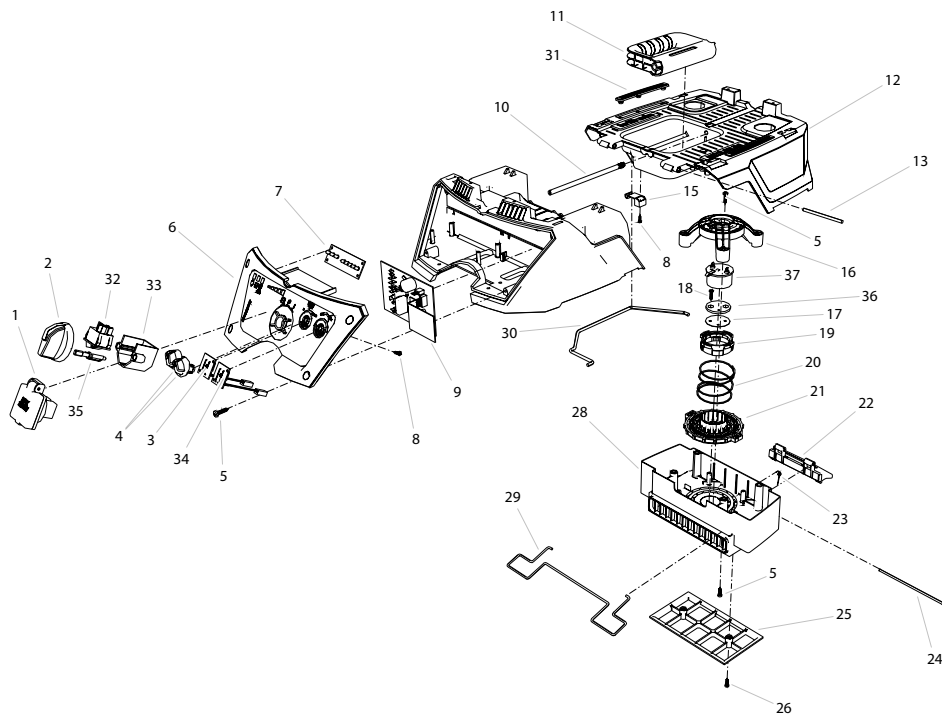
Schaltplan Ventos 32 / Ventos 42  
230 V 1~/50 Hz



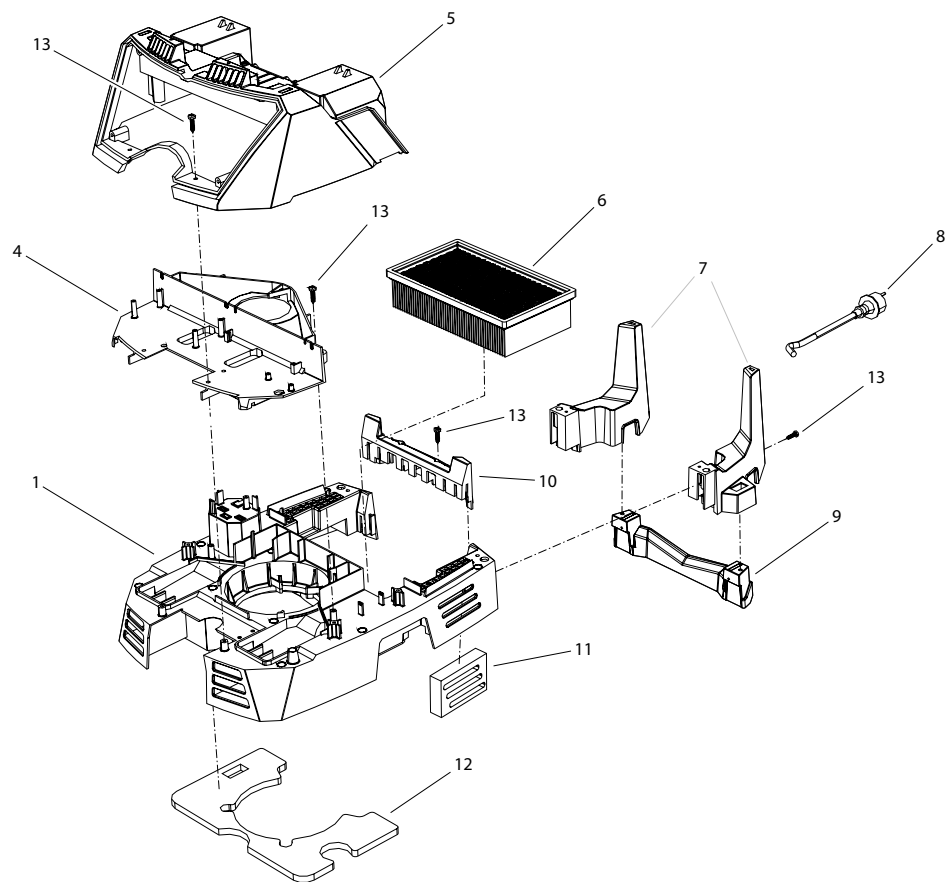




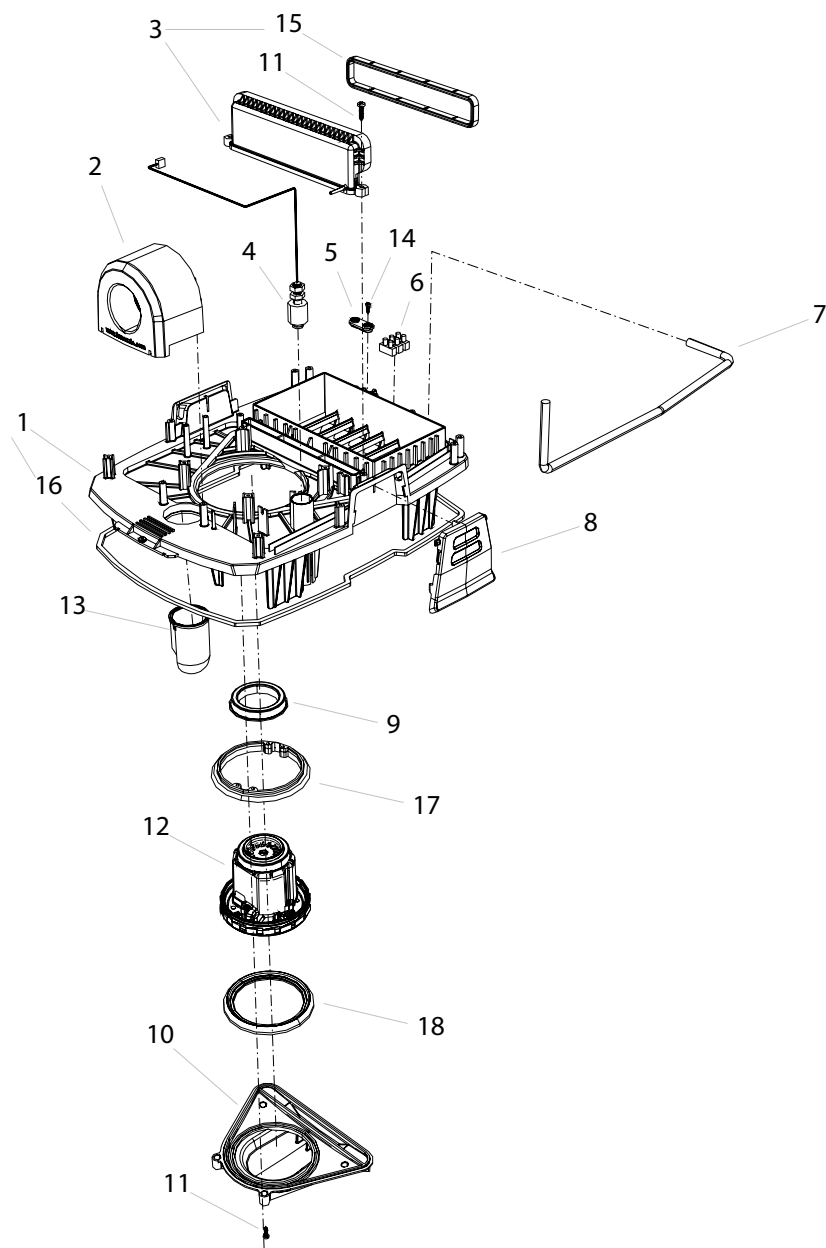
Position No	Bezeichnung Description	Stck. Qty.	Bestell-Nr. Item no.
1	Zubehöraufnahme	1	457004
2	Blechschaube 4,8 x 25	6	426471
3	Radachse	1	457006
4	Blechschaube 4,8 x 45	2	457076
5	Rad 210 mm	2	457072
6	Starlock Scheibe 20 mm	2	457075
7	Radkappe	2	457071
8	Lenkrolle mit Bremse	1	457007
10	Lenkrolle ohne Bremse	1	457077
11	Ablässnippel	1	457001
12	Dichtung Ablassstopfen	1	457002
13	Ablassstopfen	1	457003
14	Blechschaube 2,9 x 9,5	2	457078
15	Unterlegscheibe 5,3 DIN 9021	2	50152
16	Halter Filtersack	1	457008
17	Behältergriff	1	457005
	<b>Behälter komplett Ventos 32</b>	<b>1</b>	<b>457080</b>
	<b>Behälter komplett Ventos 42</b>	<b>1</b>	<b>457081</b>



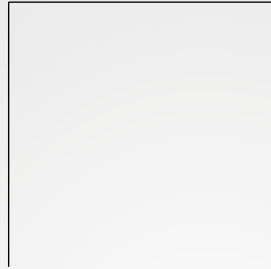
Position No	Bezeichnung Description	Stck. Qty.	Bestell-Nr. Item no.
1	Steckdose 230V 50Hz inkl. Schrauben und Dichtung	1	457088
2	Drehknopf Ein/Ausschalter	1	457031
3	Potentiometer Saugstärkeregelung	1	457089
4	Drehknopf Saugstärke / Abklopfen	2	457091
5	Blechschrabe 4,8 x 25	12	426471
6	Frontpanel	1	457030
7	LED-Platine	1	457093
8	Blechschrabe 3,5 x 13 DIN 7981	11	441614
9	Hauptplatine	1	457114
10	Bolzen Edelstahl	1	457047
11	Handgriff	1	457046
12	Filterabdeckung	1	457045
13	Zylinderstift 5 x 27	2	457027
15	Halter Magnetkabel	1	457060
16	Halter Magnet oben	1	457056
17	Rundblech Edelstahl	1	457054
18	Blechschrabe 4,8 x 16 Edelstahl	1	402821
19	Halter Magnet unten	1	457059
20	Druckfeder Filterabreinigung	1	457061
21	Ventil Filterabreinigung	1	457052
22	Griff Filterabdeckung	1	457041
23	Schenkelfeder	2	457040
24	Zylinderstift 5 x 153	1	457094
25	Gitter Filterabreinigung	1	457096
26	Blechschrabe 4,8 x 19	2	402822
28	Abdeckung Filterabreinigung	1	457051
29	Bügel Filterabdeckung	1	457095
30	Zuleitung Elektromagnet	1	457097
31	Gummidämpfer Links und Rechts	1	457042
32	3-Wege Schalter	1	457034
33	Halter für Wippschalter	1	457033
34	Potentiometer Abklopf Rhythmus	1	457090
35	Schaltnocken	1	457032
36	Magnetplatte	1	457055
37	Elektromagnet	1	457057



Position No	Bezeichnung Description	Stck. Qty.	Bestell-Nr. Item no.
1	Zwischenplatte	1	457022
4	Luftführung	1	457025
5	Frontgehäuse	1	457028
6	Faltenfilter Patrone	1	457079
7	Schlauchhaken links und rechts	1	457024
8	Netzanschlusskabel 230V 50Hz	1	457083
9	Saugschlauchhaken Verstrebung	1	457074
10	Steckerabdeckung	1	457023
11	Abluftgummi links und rechts	1	457067
12	Dämmfilter	1	457101
13	Kunststoffschraube 4,8 x 25	26	426471



Position No	Bezeichnung Description	Stck. Qty.	Bestell-Nr. Item no.
1	Trägerplatte	1	457014
2	Eingangsstück antistatisch	1	457019
3	Saugkanal mit Dichtung	1	457020
4	Schwimmerschalter	1	457087
5	Kabelklemme Netzanschlusskabel	1	457084
6	Lüsterklemme 10mm <sup>2</sup> 3-Polig	1	43326
7	Verbindungskabel 3x 1,5mm <sup>2</sup>	1	457086
8	Verschlussklammer	2	457036
9	Motordichtung klein	1	457070
10	Abdeckplatte Motor	1	457016
11	Kunststoffschraube 4,8 x 25	10	426471
12	Motor 230 V 50Hz	1	457085
13	Einblasstück	1	457018
14	Blechschaube 4,8 x 16	2	40282
15	Dichtung Saugkanal	1	457021
16	Dichtung Trägerplatte	1	457015
17	Motordichtung mit Führungen	1	457069
18	Motordichtung breit	1	457068
<b>20</b>	<b>Turbine mit Dichtungen (Pos. 9, Pos. 12, Pos. 17, Pos. 18)</b>	<b>1</b>	<b>457106</b>



**Josef Kränzle GmbH & Co. KG**

Rudolf-Diesel-Straße 20  
89257 Illertissen (Germany)

[sales@kraenzle.com](mailto:sales@kraenzle.com)

© Kranzle 18.12.2023 / Ord. no.: 309000 / Subject to technical modifications and errors.